



Secretariat of the Uligan Council
HA. Uligan, Rep. of Maldives



Rayiyyithunge Hiya Maraamaathukurumaai, Vashaafaaru Reynun

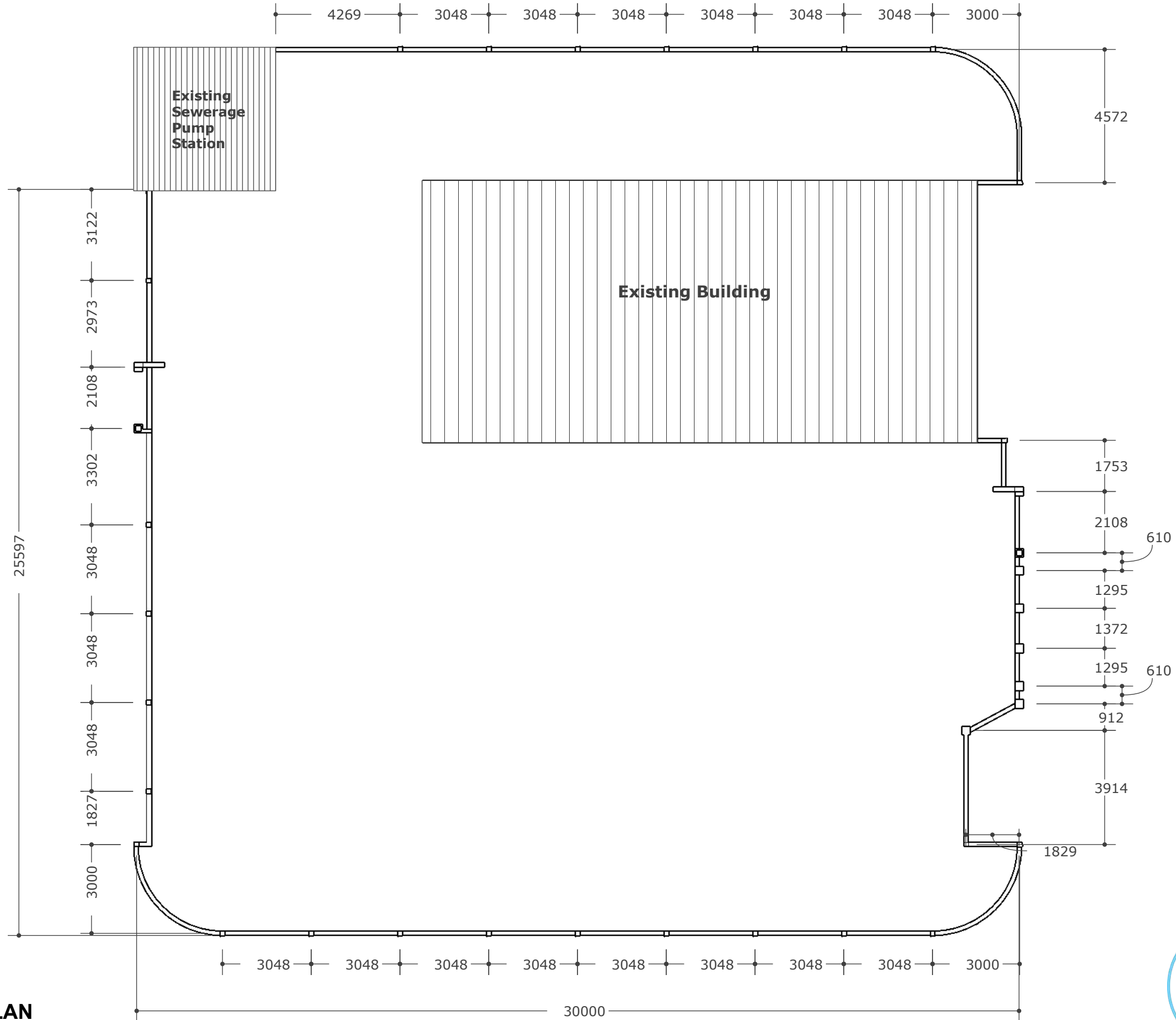
Project Number: PC-245/2023/W-02



Secretariat of the Uligan Council

Alimagu
HA. Uligan, 01020
6501013, 6501012
projects@uligan.gov.lm

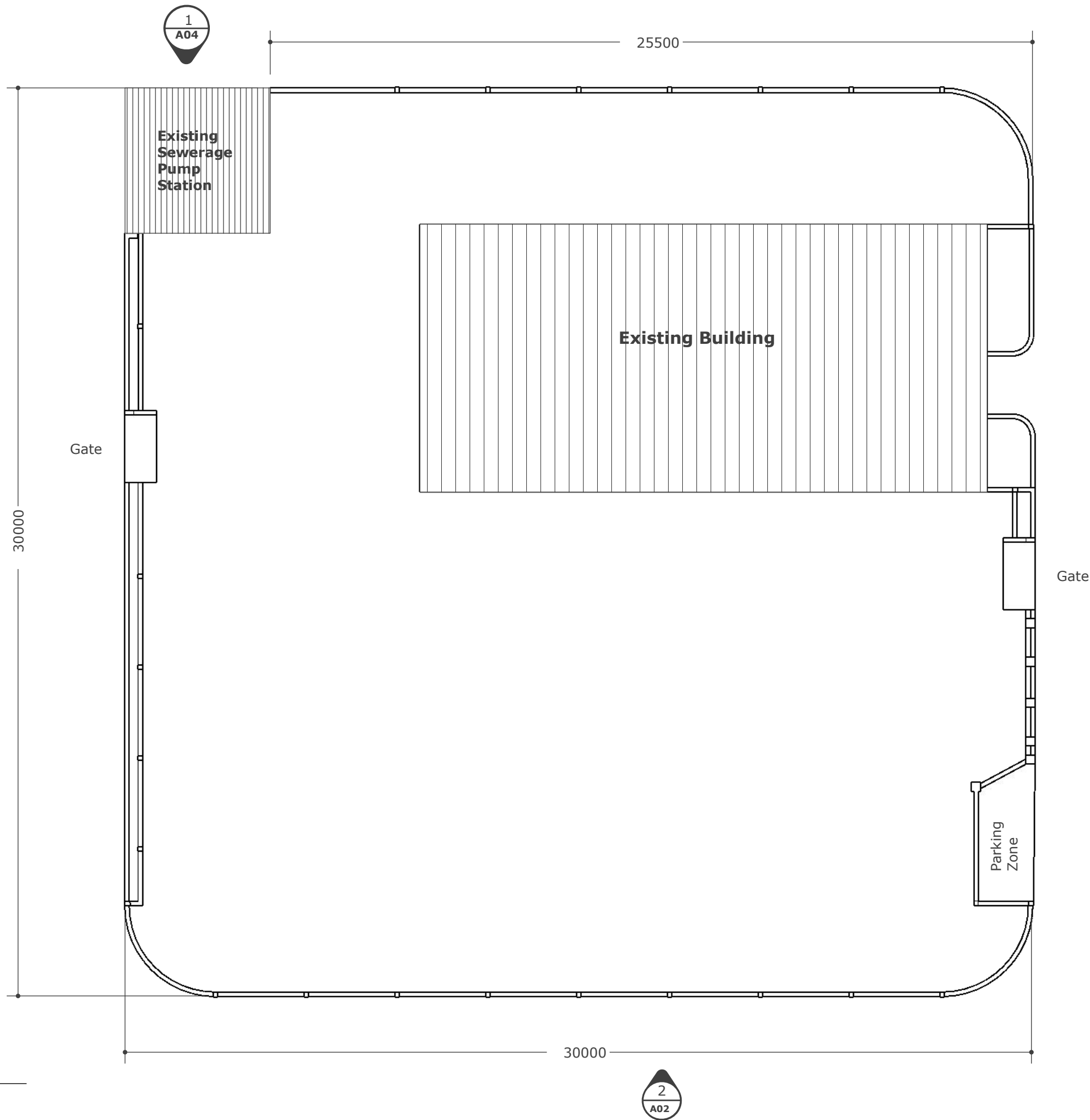
**Raiyyithu Hiya Maraamaathukurumaai,
Vashaafaaru Reynun**



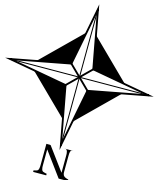
1 **FOUNDATION PLAN**
 A01 Scale: 1" : 12' (1 = 144)



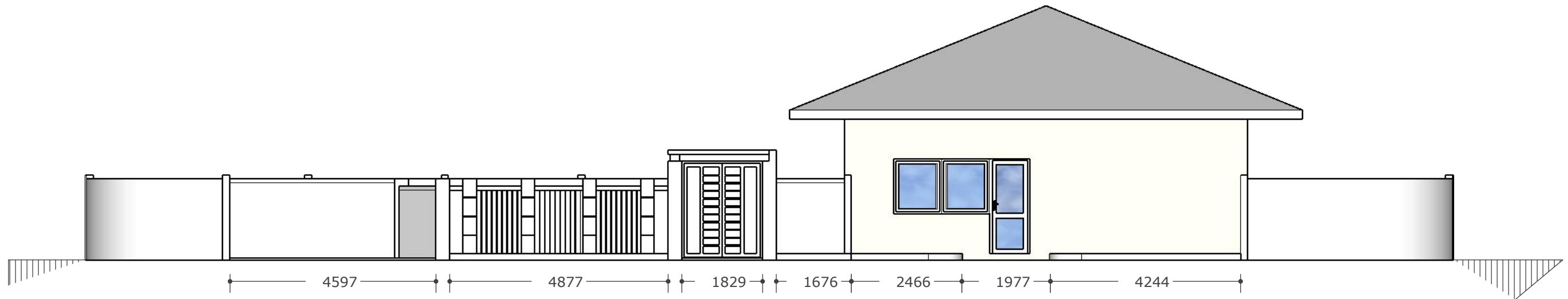
Secretariat of the Uligan Council



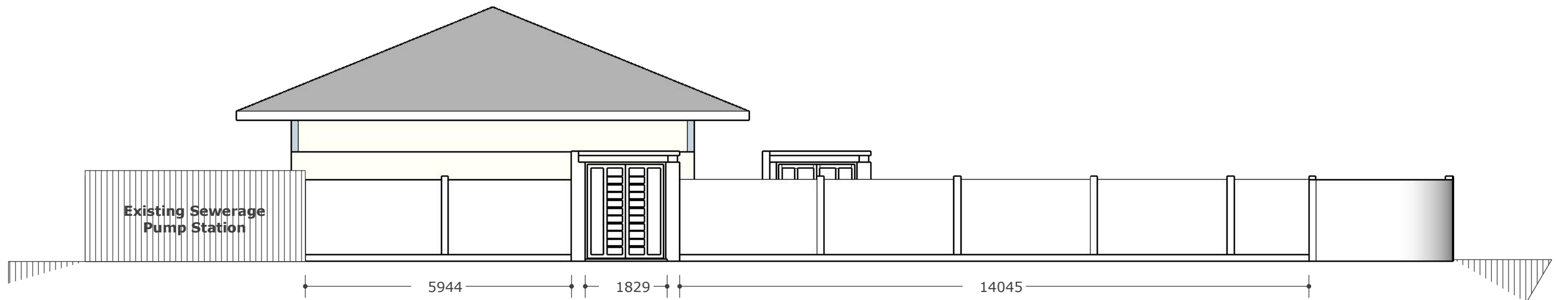
1 **FLOOR PLAN**
A02 Scale: 1" : 12' (1 = 144)



Secretariat of the Uligan Council

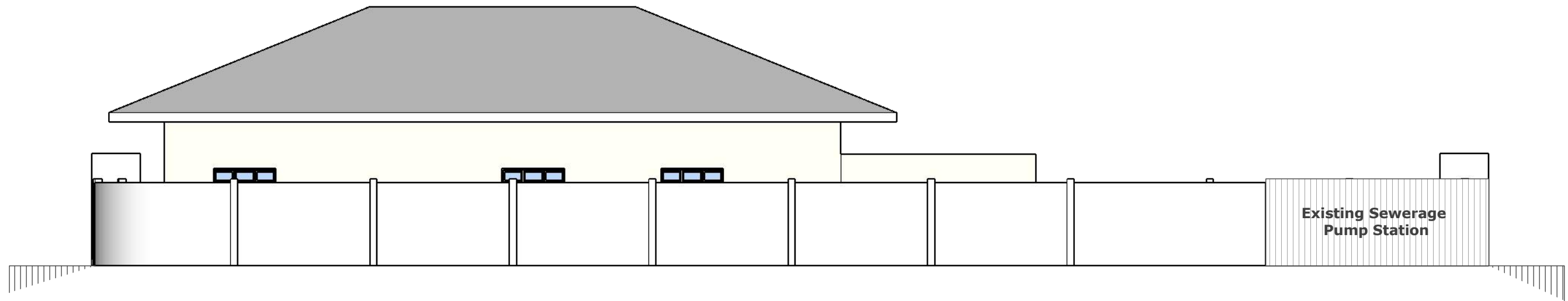


1 **FRONT ELEVATION**
A03 Scale: 1" : 8' (1 = 96)

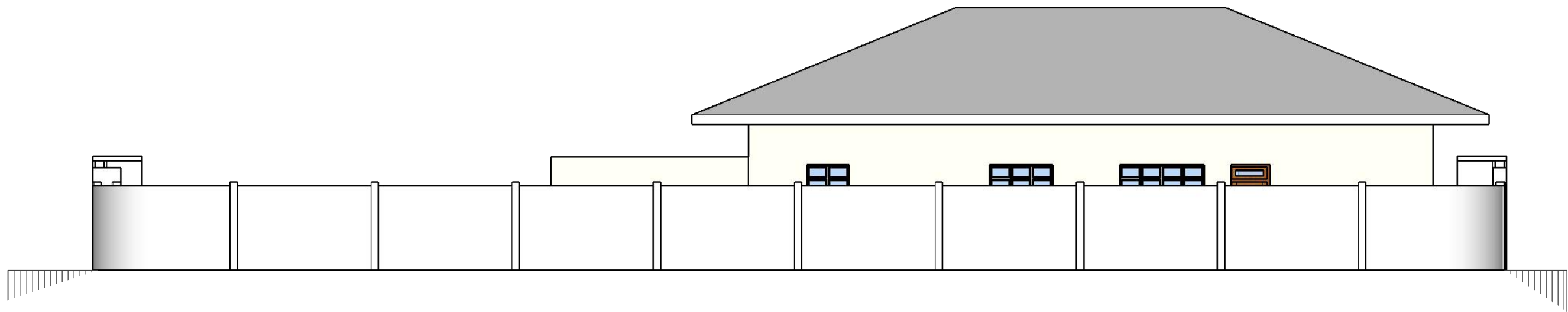


2 **BACK ELEVATION**
A03 Scale: 1" : 8' (1 = 96)



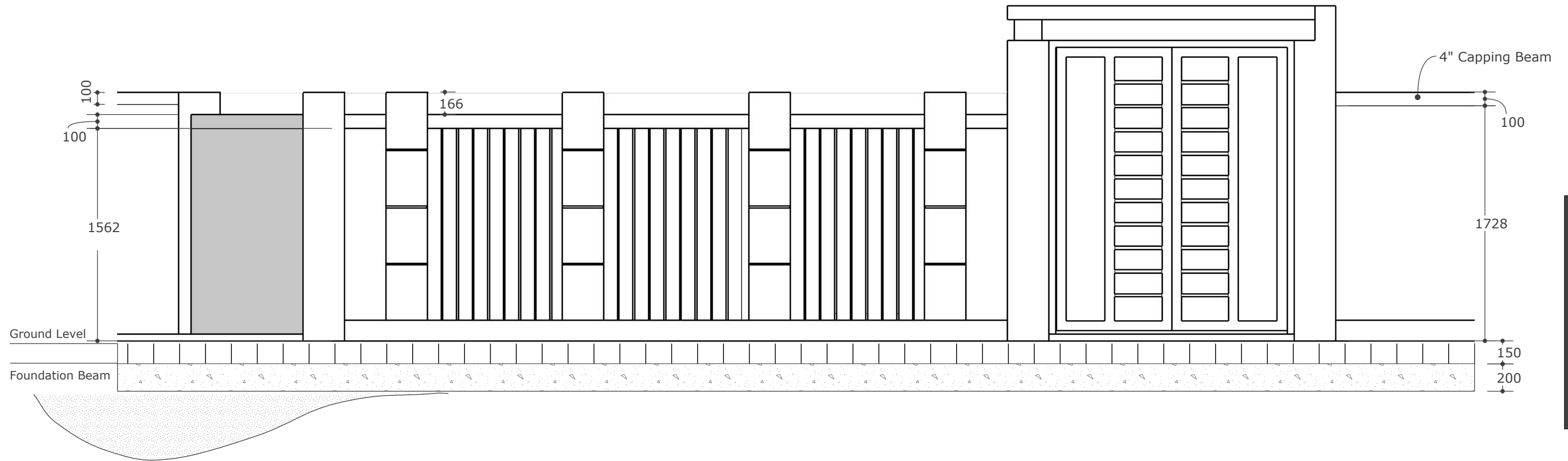


1 **ELEVATION A**
A04 Scale: 1" : 8' (1 = 96)



2 **ELEVATION B**
A04 Scale: 1" : 8' (1 = 96)

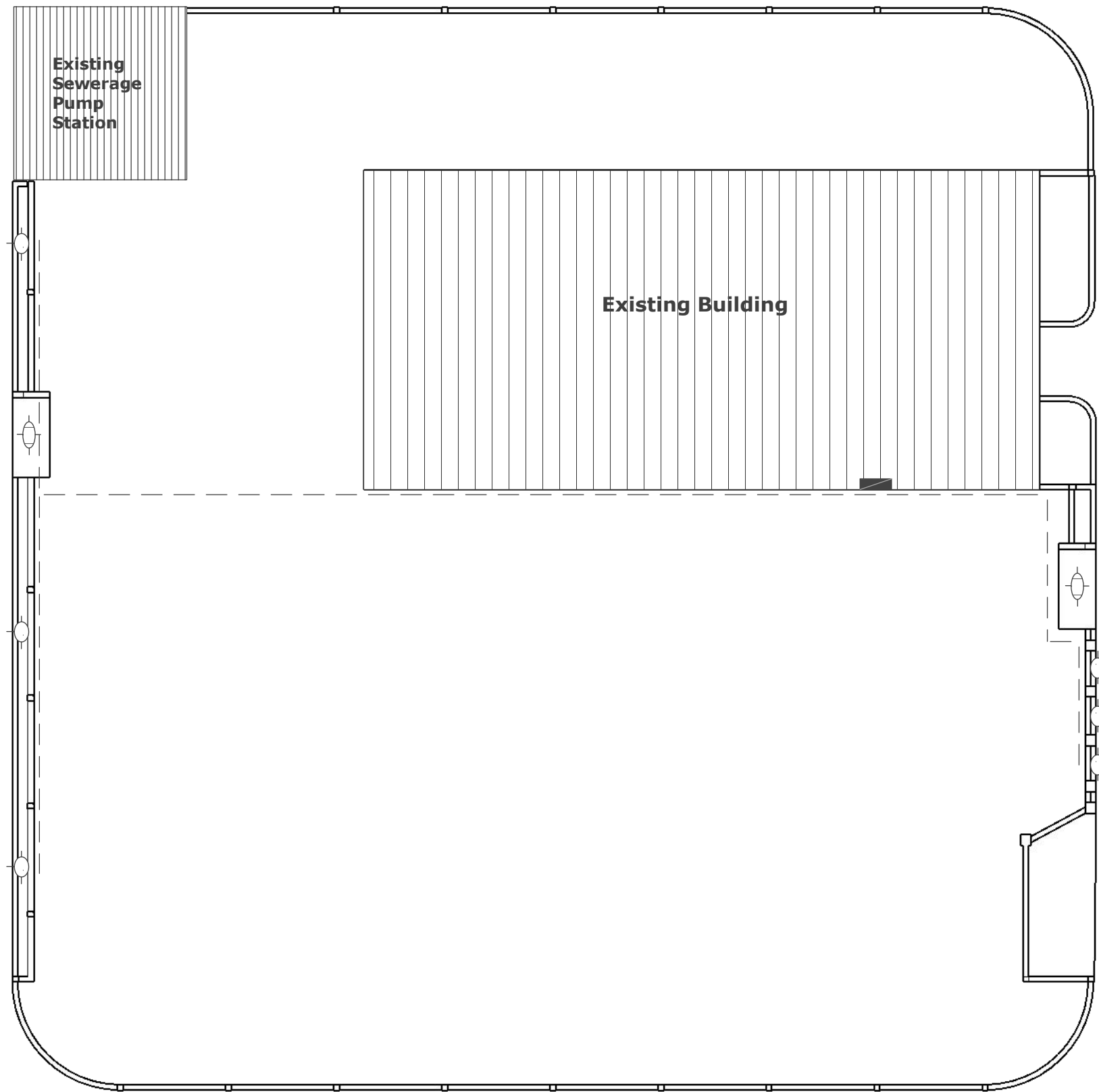







Secretariat of the Uligan Council

1 WALL DETAILS
 A05 Scale: 1mm : 30mm

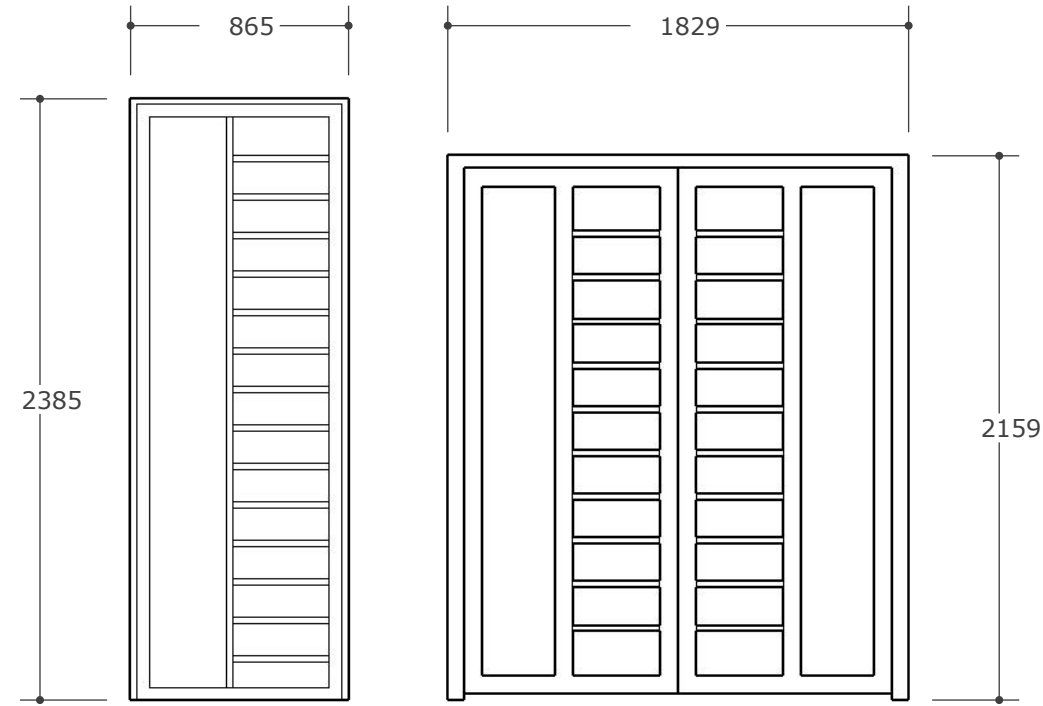




-  Existing Distribution Box
-  Ceiling Mounted Outdoor Weatherproof 30W Bulb
-  Wall Mounted Outdoor Weatherproof 30W Bulb

1 ELECTRICAL PLAN
 A06 Scale: 1" : 12' (1 = 144)

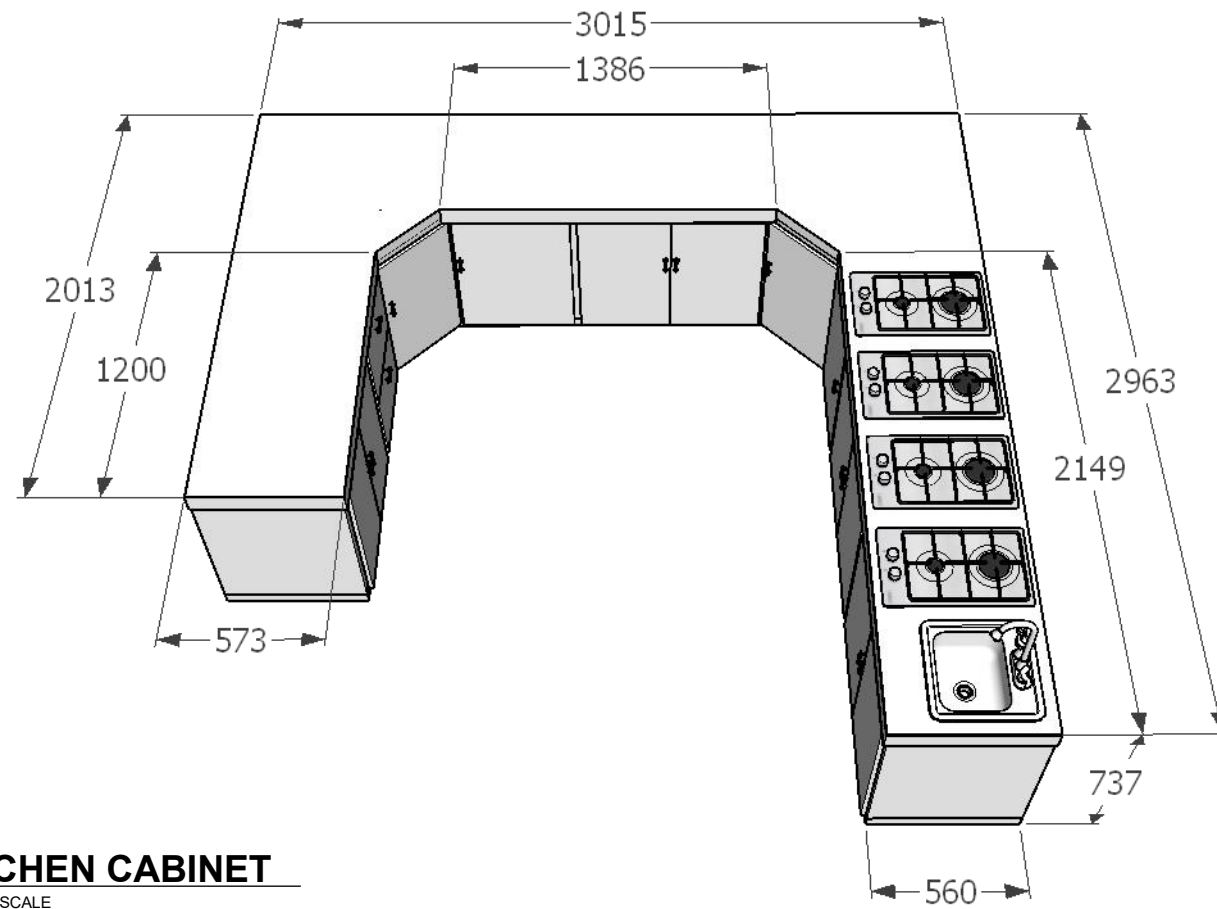




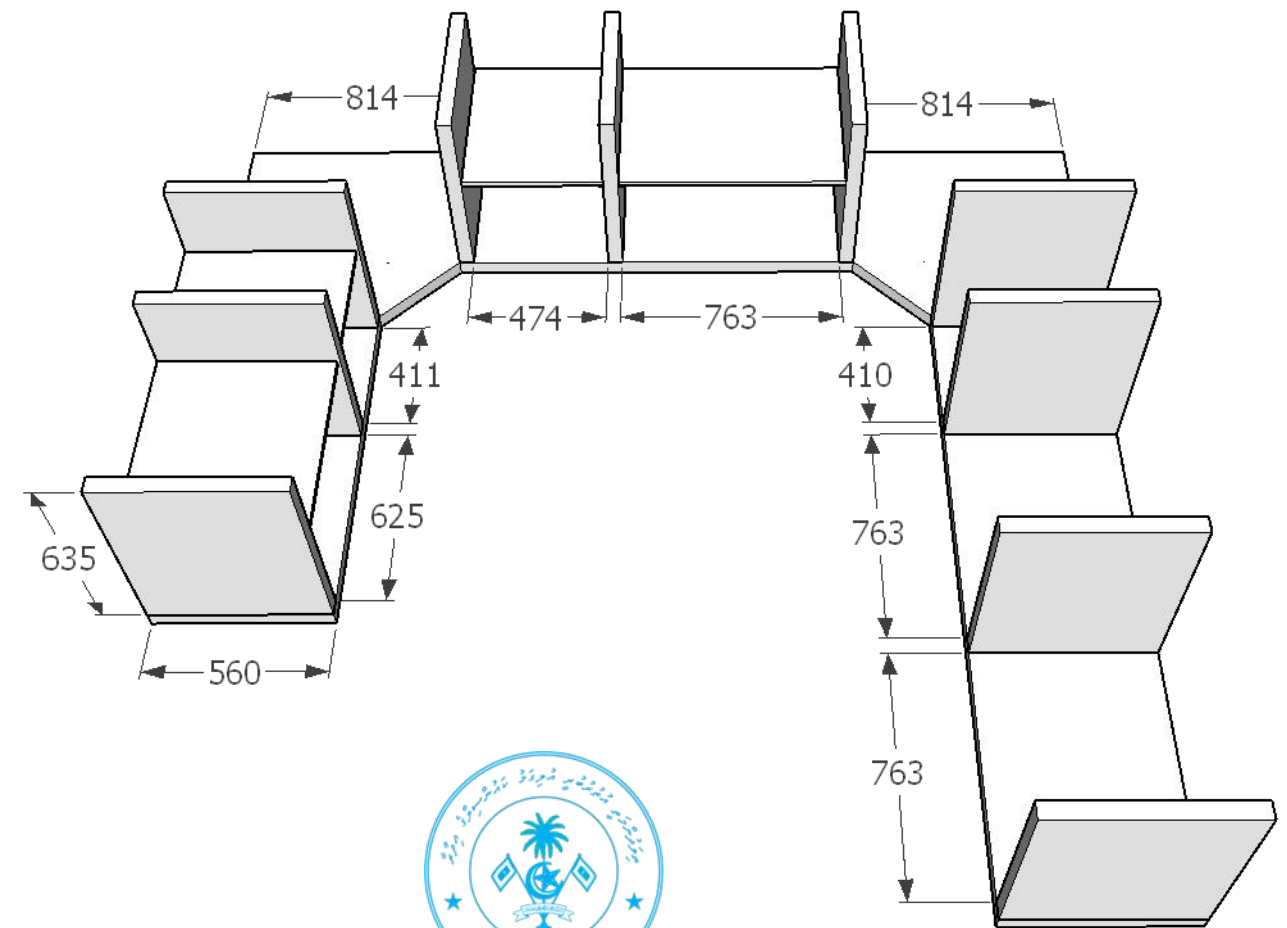
Door
Aluminum Powder Coat
White Cladding

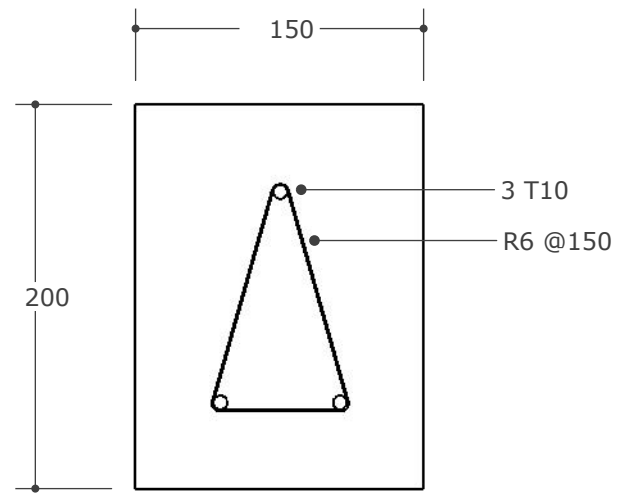
Door
Aluminum Powder Coat
White Cladding

1 **DOOR**
A07 NOT TO SCALE

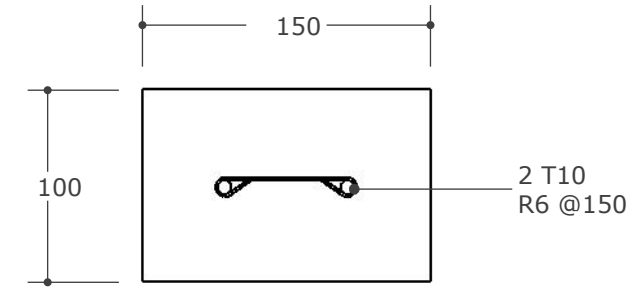


2 **KITCHEN CABINET**
A07 NOT TO SCALE

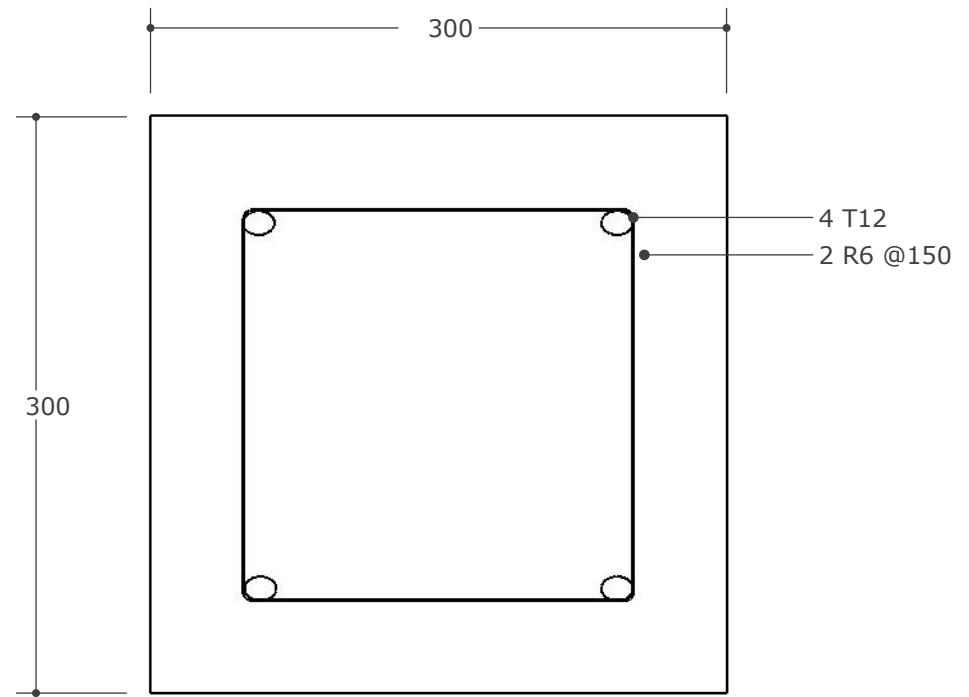




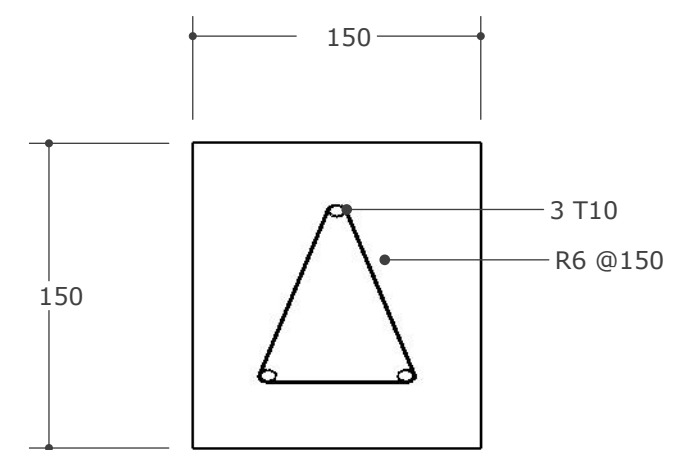
FOUNDATION BEAM



CAPPING BEAM



COLUMN 12"x12"



COLUMN 6"x6"